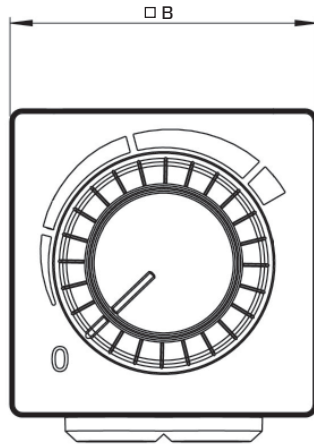
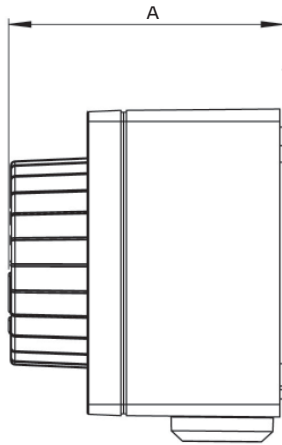


DATA SHEET

3 step switch MTS

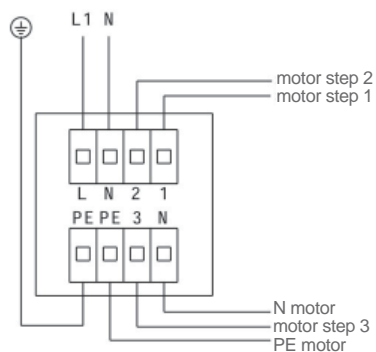


| Type | ID | A mm | B mm | C mm | D mm | Weight kg |
|--------|--------|---------|---------|---------|---------|--------------|
| MTS 10 | 128145 | 74 | 83 | 66,5 | 66,5 | 0,2 |

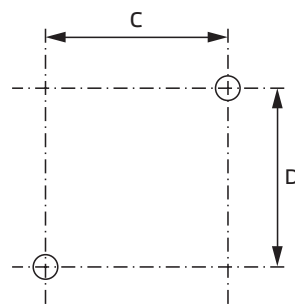
- 3 step switch MTS
- Surface and flush mounting
- Max. ambient temp 50 °C
- VDE
- Protection class IP 44

| | | | | | |
|-------|-------------------|-------|------|-------------------|-----|
| CE | U _{max.} | 250V~ | 50Hz | I _{max.} | 4A |
| | RU | 120V~ | 60Hz | P _{max.} | 1hp |
| 240V~ | | 60Hz | | 2hp | |

Wiring diagram :



Assembly :



Legend

- I_{max.} = Max. operating current
- U_{max.} = Maximum voltage
- P_{max.} = Maximum power